



## ELECTRICAL INNOVATION SINCE 1909

Reliance Controls Corporation has been manufacturing high-quality electrical products since 1909. We have built a strong reputation not only for the quality of our products, but also the manner in which we conduct our business. We strive to exceed the expectations of our customers.

Reliance introduced the first two transfer switches engineered specifically for portable generators in 1983. Today we offer over 500 manual transfer switches, transfer

panels and generator-ready load centers. Added to this offering is a broad selection of accessories including power inlet boxes, generator cords, wattmeter boxes and wiring devices. Reliance is the leading manufacturer of manual transfer equipment for portable generators.

We continue to broaden our line with innovative products of exceptional quality.



All Transfer switches in this catalog are listed by Underwriters Laboratories Inc. and are suitable for use in accordance with article 702 of the National Electric Code ANSI/NFPA 70.

# 2-POLE PANEL/LINK

## TRANSFER PANELS

### TRK - OUTDOOR



NEMA 3R  
Rated

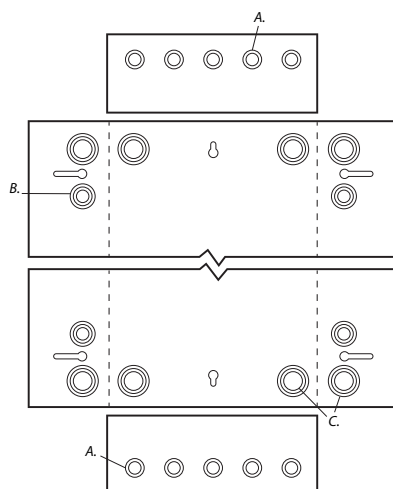
**12/20**  
CIRCUITS



Model#	Max. Utility Input Amps	Max. Gen. Input Amps	Gen. Power Inlet Included	Watt Meters Included	UPC
TRK0303DR	30	30	No	No	8-15181-01660-9
TRK0503DR	50	50	No	No	8-15181-01661-6
TRK0505DR	50	50	No	No	8-15181-01662-3
TRK0603DR	60	30	No	No	8-15181-01663-0
TRK0606DR	60	60	No	No	8-15181-01664-7
TRK1003DR	100	30	No	No	8-15181-01665-4
TRK1005DR	100	50	No	No	8-15181-01666-1
TRK1006DR	100	60	No	No	8-15181-01667-8

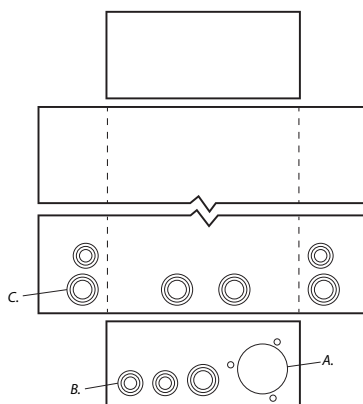
Dimensions: 15.75" h x 12.38" w x 3.38" d

#### TRK SERIES KNOCKOUT PATTERNS



##### Indoor TRK Series

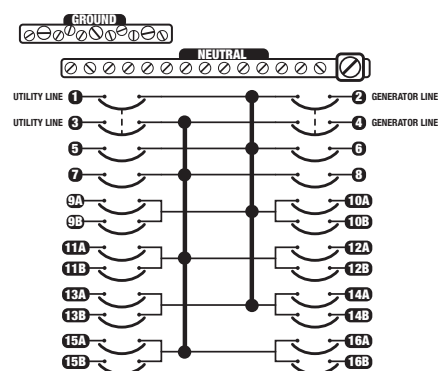
- A. 10 K.O.s for .5", .75" Conduit
- B. 4 K.O.s for .5", .75", 1" Conduit
- C. 4 K.O.s for .75", 1", 1.25" Conduit



##### Outdoor TRK Series

- A. Opening for RCC Flanged Inlets
- B. 4 K.O.s for .5", .75", 1" Conduit
- C. 5 K.O.s for .75", 1", 1.25" Conduit

#### TRK SERIES WIRING DIAGRAM



Above models are UL listed for the following branch circuit breakers: Siemens Type QP, QT, QPH, HQP, QPH, QPHF, QFP, QE, QEH; Square D Series HOM 100A Max. Murry Type MP; C-H/Westinghouse Series BD, BR, BQ, GFC 100A Max.

